

# NETLOCK CA HIERARCHY

Documentation about the structure, hierarchy and other details of  
NETLOCK's CAs



**NETLOCK Informatics and Network Security Services Limited Liability Company**

*Document name:* NETLOCK CA Hierarchy

*Document short name:* CA-HIER-EN

*Version:* 250723

*Document identifier (OID):* 1.3.6.1.4.1.3555.1.6.3.0.250723

*Date approved:* 23.07.2025

*Date of publication:* 23.07.2025

*Valid from:* 23.07.2025

*No. of pages:* 20

*Prepared by:* NETLOCK Compliance

*Approved by:* dr. Vey Dorottya  
Head of Compliance

## Tartalom

1	Introduction.....	3
1.1	CA certificates and CRLs.....	3
2	SHA256 CA hierarchy.....	3
2.1	General description.....	3
2.2	Issued certificate types .....	4
2.2.1	Roots.....	4
2.2.2	Qualified CAs .....	4
2.2.3	Non qualified Signer CAs .....	6
2.2.4	Non-qualified Non-signer CAs .....	7
2.2.5	ECC - TLS .....	8
2.3	Structure .....	9
2.4	CA certificates and CRLs.....	12
3	Cross certifications .....	17
3.1	Microsoft cross certified information .....	17
3.2	NETLOCK Gold cross certified information .....	17
4	CA certificates not covered by any root programs.....	17
4.1	CA certificates and CRLs.....	17
4.2	SHA256 Governmental CA hierarchy .....	18
4.2.1	General description .....	18
4.2.2	Issued certificate types.....	18
4.2.3	CA certificates and CRLs .....	19
4.2.4	Structure.....	19

## 1 Introduction

This document describes the NETLOCK CA hierarchy.

### 1.1 CA certificates and CRLs

Short name in structure	Full name	CA availability	CRL availability
SHA1 QA	Netlock Minositett Kozjegyzoi (Class QA) Tanusitvanykiado	<a href="http://www.netlock.hu/index.cgi?ca=mshea">http://www.netlock.hu/index.cgi?ca=mshea</a>	<a href="http://www.netlock.hu/index.cgi?crl=mshea">http://www.netlock.hu/index.cgi?crl=mshea</a>
SHA1 A	Netlock Kozjegyzoi (Class A) Tanusitvanykiado	<a href="http://www.netlock.hu/index.cgi?ca=koziegyzoi">http://www.netlock.hu/index.cgi?ca=koziegyzoi</a>	<a href="http://www.netlock.hu/index.cgi?crl=koziegyzoi">http://www.netlock.hu/index.cgi?crl=koziegyzoi</a>
SHA1 B	Netlock Uzleti (Class B) Tanusitvanykiado	<a href="http://www.netlock.hu/index.cgi?ca=uzleti">http://www.netlock.hu/index.cgi?ca=uzleti</a>	<a href="http://www.netlock.hu/index.cgi?crl=uzleti">http://www.netlock.hu/index.cgi?crl=uzleti</a>
SHA1 C	Netlock Expressz (Class C) Tanusitvanykiado	<a href="http://www.netlock.hu/index.cgi?ca=expressz">http://www.netlock.hu/index.cgi?ca=expressz</a>	<a href="http://www.netlock.hu/index.cgi?crl=expressz">http://www.netlock.hu/index.cgi?crl=expressz</a>
SHA1 MKB	Netlock controlled CA for MKB Bank, Hungary	already archived	already archived
SHA1 MNB	Netlock controlled CA for MNB Bank, Hungary	already archived	already archived
SHA1 OnlineSSL	Netlock OnlineSSL Hitelesito Alegyseg	<a href="http://www.netlock.hu/index.cgi?ca=olsslca1">http://www.netlock.hu/index.cgi?ca=olsslca1</a>	<a href="http://www.netlock.hu/index.cgi?ca=olsslca1">http://www.netlock.hu/index.cgi?ca=olsslca1</a>

## 2 SHA256 CA hierarchy

### 2.1 General description

The Netlocks SHA256 hierarchy started at the end of 2012 when the SHA1 roots are stopped.

Following the new standards it was chained under the root Netlock Arany (Gold)

The changes were:

- signer and non-signer purposes were separated by CA, for the signer CA-s only signer certificates were allowed to issue,
- authentication and server certificates are separated,
- the same identification levels were introduced, so the transition was seamless for the users. (signer cert issued by a signer iCA, encryption cert issued by a non-signer iCA)
- Netlocks got cross certification from Microsoft on its roots for Kernel Mode Code Signing.

## 2.2 Issued certificate types

### 2.2.1 Roots

They are issuing only CA and OCSP certificates.

These are:

- NetLock Arany (Class Gold) Főtanúsítvány  
It's the actual root of the structure
- NetLock Platina (Class Platinum) Főtanúsítvány  
4096 bit root for certificate issuance
- NETLOCK TLS ECC CA  
ecdsa root for certificate issuance
- NETLOCK TLS Root CA 2025  
ecdsa root for certificate issuance
- NETLOCK Test ECC CA  
ecdsa root for certificate issuance
- NETLOCK Root ECC CA  
ecdsa root for certificate issuance
- NETLOCK TSA ECC CA  
ecdsa root for certificate issuance
- NETLOCK TSA ECC CA 2025  
ecdsa root for certificate issuance
- NETLOCK Test TSA ECC CA  
ecdsa root for certificate issuance
- NETLOCK SMIME Root CA 2025  
ecdsa root for certificate issuance
- NETLOCK Test RSA 4096 CA  
4096 bit root for certificate issuance
- NETLOCK RSA 4096 CA  
4096 bit root for certificate issuance
- NETLOCK Test RSA 2048 CA  
2048 bit root for certificate issuance
- NETLOCK RSA 2048 CA  
2048 bit root for certificate issuance

### 2.2.2 Qualified CAs

They are issuing signer certificates, applicable normalized policy is: NCP+  
NETLOCK Qualified Trust EV CA normalized policy is: EVCP

These are:

- NetLock Minősített Eat. (Class Q Legal) Tanúsítványkiadó  
Its only issues qualified signer certificates for natural persons on SSCD, or on device  
Its also issues the Time Stamping certificates too for Netlocks time stamping service.
- NetLock Minősített Eat. Spec. (Class Q Legal Spec.) Kiadó  
Its only issues qualified signer certificates for legal persons on SSCD, or on device.

- NETLOCK Trust Qualified CA  
Issues EIDAS compliant qualified certificates
- NETLOCK Trust Qualified SCD CA  
Issues EIDAS compliant qualified certificates on SCD
- NETLOCK Trust Qualified QSCD CA  
Issues EIDAS compliant qualified certificates on QSCD
- NETLOCK Trust Qualified RQSCD CA  
Issues qualified certificates on RQSCD to legal persons, in order to create a qualified seal.  
Issues qualified certificates on RQSCD to natural persons in order to create a qualified signature.
- NETLOCK Trust Qualified EV CA  
Issues EIDAS compliant qualified web-site authentication certificates for legal persons.
- NETLOCK Trust Qualified EV 2 CA  
Issues EIDAS compliant qualified web-site authentication certificates for legal persons.
- NETLOCK Trust Qualified EV 3 CA  
Issues EIDAS compliant qualified web-site authentication certificates for legal persons.
- NETLOCK TLS Qualified EV ECC CA  
Issues EIDAS compliant qualified web-site authentication certificates for legal persons.
- NETLOCK Qualified EV TLS CA 2025  
Issues EIDAS compliant qualified web-site authentication certificates for legal persons.
- NETLOCK Trust Qualified ECC CA  
Issues qualified certificates to legal persons, in order to create an advanced seal.  
Issues qualified certificates to natural persons in order to create an advanced signature.
- NETLOCK Trust Qualified SCD ECC CA  
Issues qualified certificates on SCD to legal persons, in order to create an advanced seal.  
Issues qualified certificates on SCD to natural persons in order to create an advanced signature.
- NETLOCK Trust Qualified QSCD ECC CA  
Issues qualified certificates on QSCD to legal persons, in order to create a qualified seal.  
Issues qualified certificates on QSCD to natural persons in order to create a qualified signature.
- NETLOCK Trust Qualified RQSCD VRA ECC CA  
Issues qualified certificates on RQSCD to legal persons via VideoRA, in order to create a qualified seal.  
Issues qualified certificates on RQSCD to natural persons via VideoRA in order to create a qualified signature.
- NETLOCK Trust Qualified TSA ECC CA  
-
- NETLOCK Trust Qualified TSA ECC CA 2025  
-
- NETLOCK Trust Qualified RSA 2048 CA  
Issues qualified certificates to legal persons, in order to create an advanced seal.  
Issues qualified certificates to natural persons in order to create an advanced signature.
- NETLOCK Trust Qualified SCD RSA 2048 CA  
Issues qualified certificates on SCD to legal persons, in order to create an advanced seal.  
Issues qualified certificates on SCD to natural persons in order to create an advanced signature.
- NETLOCK Trust Qualified QSCD RSA 2048 CA

Issues qualified certificates on QSCD to legal persons, in order to create a qualified seal.  
Issues qualified certificates on QSCD to natural persons in order to create a qualified signature.

- NETLOCK Trust Qualified RQSCD VRA RSA 2048 CA  
Issues qualified certificates on RQSCD to legal persons via VideoRA, in order to create a qualified seal.  
Issues qualified certificates on RQSCD to natural persons via VideoRA in order to create a qualified signature.
- NETLOCK Trust Qualified TSA RSA 2048 CA  
-
- NETLOCK Trust Qualified RSA 4096 CA  
Issues qualified certificates to legal persons, in order to create an advanced seal.  
Issues qualified certificates to natural persons in order to create an advanced signature.
- NETLOCK Trust Qualified SCD RSA 4096 CA  
Issues qualified certificates on SCD to legal persons, in order to create an advanced seal.  
Issues qualified certificates on SCD to natural persons in order to create an advanced signature.
- NETLOCK Trust Qualified QSCD RSA 4096 CA  
Issues qualified certificates on QSCD to legal persons, in order to create a qualified seal.  
Issues qualified certificates on QSCD to natural persons in order to create a qualified signature.
- NETLOCK Trust Qualified RQSCD VRA RSA 4096 CA (qtrustrqscdvrrarsa4096ca)  
Issues qualified certificates on RQSCD to legal persons via VideoRA, in order to create a qualified seal.  
Issues qualified certificates on RQSCD to natural persons via VideoRA in order to create a qualified signature.
- NETLOCK Trust Qualified TSA RSA 4096 CA  
-
- NETLOCK Qualified SMIME CA 2025  
-

### 2.2.3 Non qualified Signer CAs

They are issuing signer end entity certificates only, applicable normalized policies are: NCP, NCP+

These are:

- NetLock Közjegyzői Eat. (Class A Legal) Tanúsítványkiadó (stopped)
- NetLock Üzleti Eat. (Class B Legal) Tanúsítványkiadó (stopped)
- NetLock Expressz Eat. (Class C Legal) Tanúsítványkiadó (stopped)
- MNB Eat. Tanúsítványkiadó (stopped)
- KELER Eat. Tanúsítványkiadó (stopped)
- MKB Tanúsítványkiadó (stopped)
  
- NETLOCK Trust Advanced CA
- NETLOCK Trust Advanced Plus CA (issues only NCP+ certificates)
- NETLOCK Trust Advanced ECC CA
- NETLOCK Trust Advanced Plus ECC CA

- NETLOCK Trust TSA ECC CA
- NETLOCK Trust TSA ECC CA 2025
- NETLOCK Trust Advanced RSA 2048 CA
- NETLOCK Trust Advanced Plus RSA 2048 CA
- NETLOCK Trust TSA RSA 2048 CA
- NETLOCK Trust Advanced RSA 4096 CA
- NETLOCK Trust Advanced Plus RSA 4096 CA
- NETLOCK Trust TSA RSA 4096 CA
- NETLOCK SMIME CA 2025

### 2.2.4 Non-qualified Non-signer CAs

They are issuing authentication, encryption, and IV, OV and EV SSL certificates, applicable normalized policies are: NCP, NCP+, IVCP, OVCP, EVCP

These are:

- NetLock Közjegyzői (Class A) Tanúsítványkiadó
- NetLock Üzleti (Class B) Tanúsítványkiadó
- NetLock Expressz (Class C) Tanúsítványkiadó
- NETLOCK Trust CA
- NETLOCK Trust SSL CA
- NETLOCK Trust EV CA
- NETLOCK Trust EV 2 CA
- NETLOCK Trust EV 3 CA
- NETLOCK Trust ECC CA
- NETLOCK Trust RSA 2048 CA
- NETLOCK Trust RSA 4096 CA

## 2.2.5 ECC - TLS

➤ Non-qualified Non-signer CAs (TLS)

They are issuing DV, OV and EV SSL certificates, applicable normalized policies are: DVCP, OVCP, EVCP

- NETLOCK TLS DV ECC CA
- NETLOCK DV TLS CA 2025
- NETLOCK TLS OV ECC CA
- NETLOCK OV TLS CA 2025
- NETLOCK TLS EV ECC CA

➤ Non-qualified Non-signer CAs (S/MIME)

They are issuing S/MIME certificates, applicable normalized policies are: LCP

- NETLOCK SMIME CA 2025

➤ Qualified Non-signer CAs (TLS)

They are issuing EV SSL certificates, applicable normalized policies are: EVCP

- NETLOCK TLS Qualified EV ECC CA

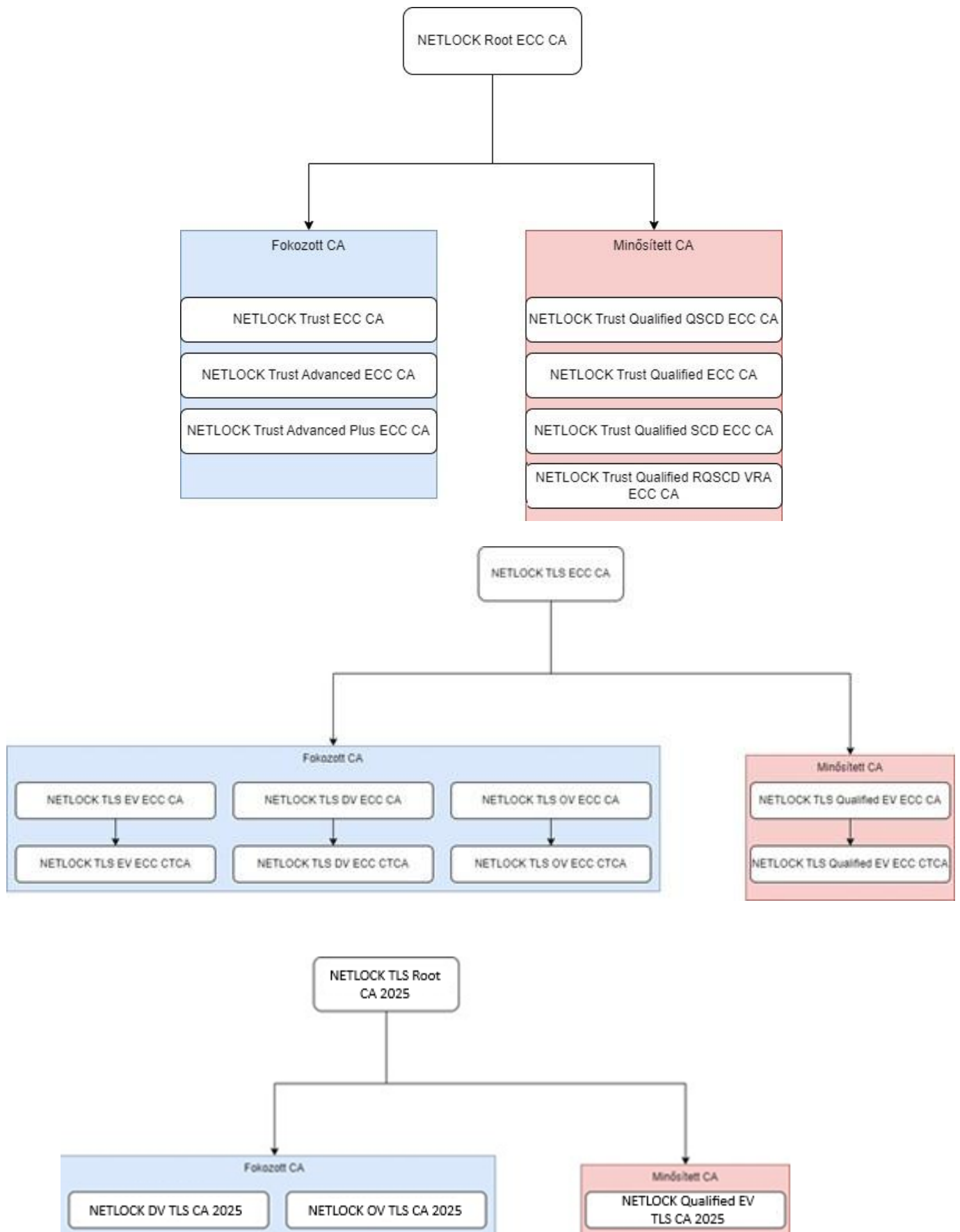
➤ Qualified Non-signer CAs (S/MIME)

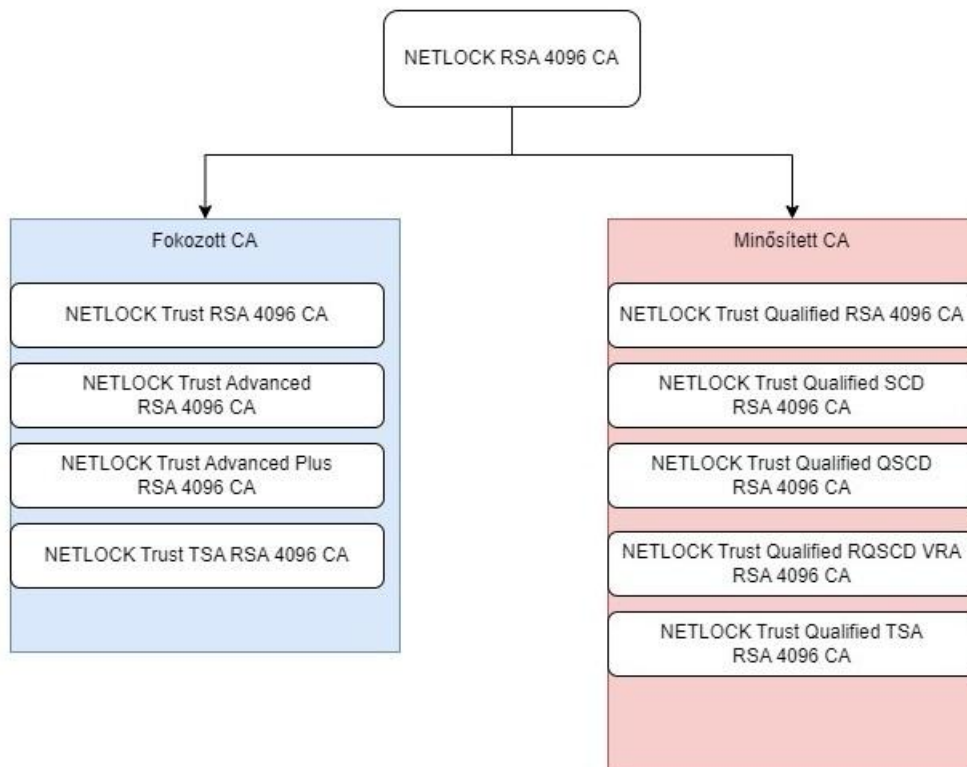
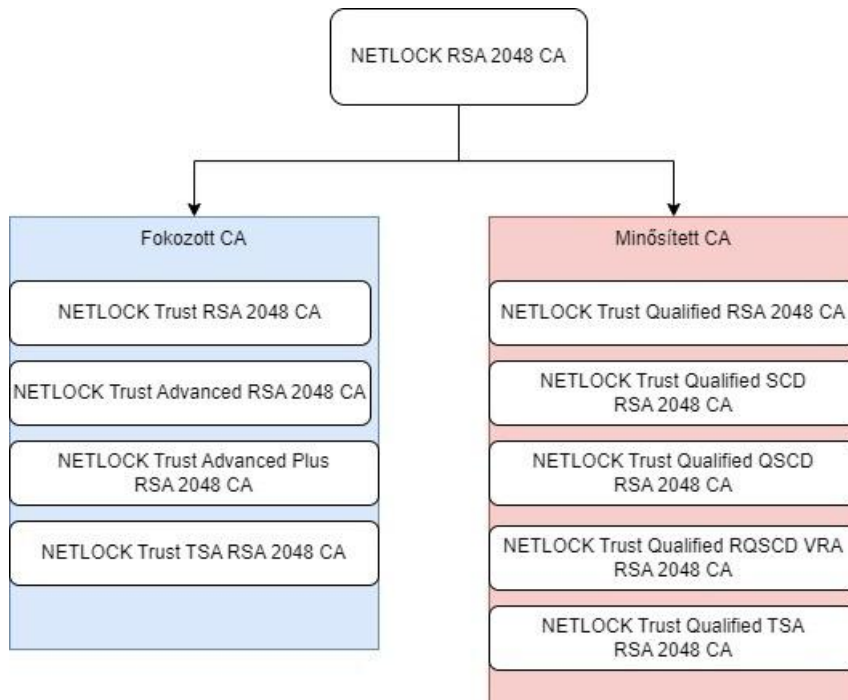
They are issuing S/MIME certificates, applicable normalized policies are: QCP-n-QSCD

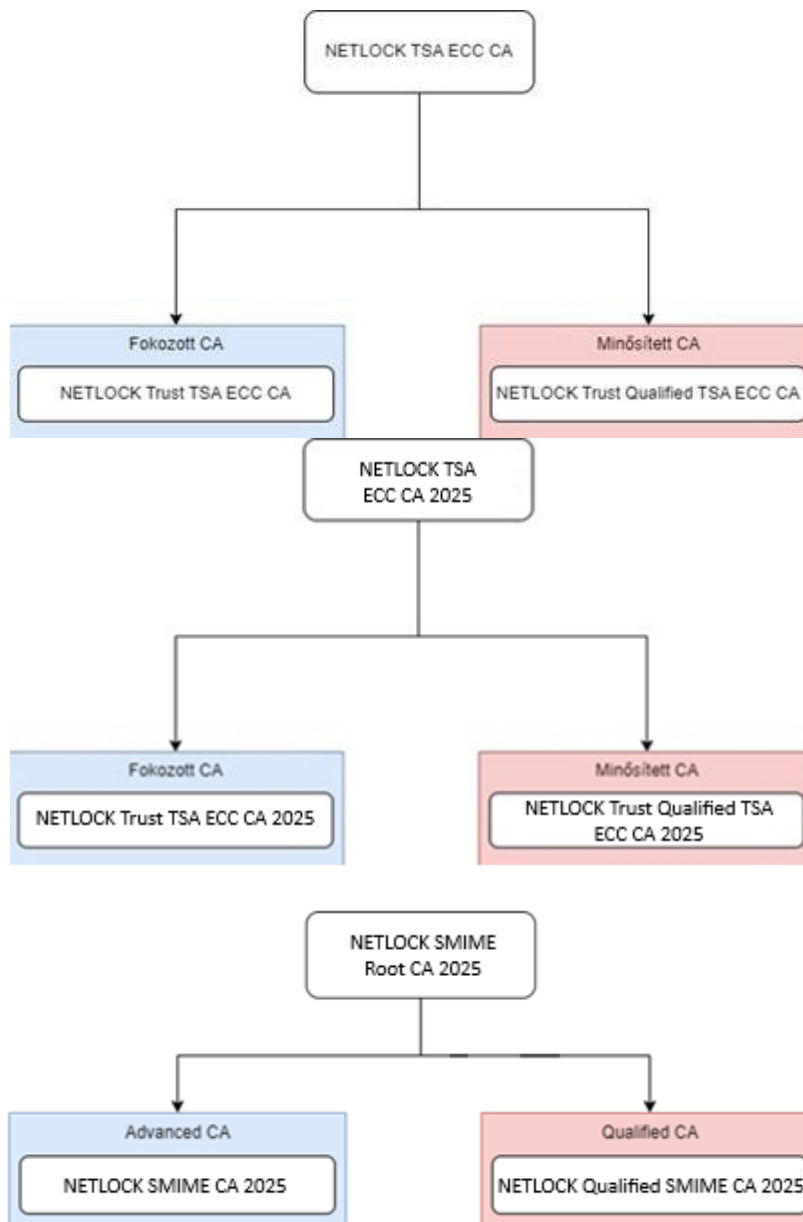
- NETLOCK Qualified SMIME CA 2025

2.3 Structure









## 2.4 CA certificates and CRLs

Short name in structure	Full name	CA availability	CRL availability
SHA2 GOLD	NetLock Arany (Class Gold) Főtanúsítvány	<a href="http://www.netlock.hu/index.cgi?ca=gold">http://www.netlock.hu/index.cgi?ca=gold</a>	<a href="http://www.netlock.hu/index.cgi?crl=gold">http://www.netlock.hu/index.cgi?crl=gold</a>
SHA2 PLATINUM	NetLock Platina (Class Platinum) Főtanúsítvány	<a href="http://www.netlock.hu/index.cgi?ca=platinum">http://www.netlock.hu/index.cgi?ca=platinum</a>	<a href="http://www.netlock.hu/index.cgi?crl=platinum">http://www.netlock.hu/index.cgi?crl=platinum</a>
SHA2 Q EAT	NetLock Minősített Eat. (Class Q Legal) Tanúsítványkiadó	<a href="http://www.netlock.hu/index.cgi?ca=cqlca">http://www.netlock.hu/index.cgi?ca=cqlca</a>	<a href="http://www.netlock.hu/index.cgi?crl=cqlca">http://www.netlock.hu/index.cgi?crl=cqlca</a>
SHA2 QS EAT	NetLock Minősített Eat. Spec. (Class Q Legal Spec.) Kiadó	<a href="http://www.netlock.hu/index.cgi?ca=cqlsca">http://www.netlock.hu/index.cgi?ca=cqlsca</a>	<a href="http://www.netlock.hu/index.cgi?crl=cqlsca">http://www.netlock.hu/index.cgi?crl=cqlsca</a>
QTRUST	NETLOCK Trust Qualified CA	<a href="http://www.netlock.hu/index.cgi?ca=qtrust">http://www.netlock.hu/index.cgi?ca=qtrust</a>	<a href="http://www.netlock.hu/index.cgi?crl=qtrust">http://www.netlock.hu/index.cgi?crl=qtrust</a>

**NETLOCK CA HIERARCHY**

QTRUST SCD	NETLOCK Trust Qualified SCD CA	<a href="http://www.netlock.hu/index.cgi?ca=qtrustscd">http://www.netlock.hu/index.cgi?ca=qtrustscd</a>	<a href="http://www.netlock.hu/index.cgi?crl=qtrustscd">http://www.netlock.hu/index.cgi?crl=qtrustscd</a>
QTRUST QSCD	NETLOCK Trust Qualified QSCD CA	<a href="http://www.netlock.hu/index.cgi?ca=qtrustqscd">http://www.netlock.hu/index.cgi?ca=qtrustqscd</a>	<a href="http://www.netlock.hu/index.cgi?crl=qtrustqscd">http://www.netlock.hu/index.cgi?crl=qtrustqscd</a>
QTRUST RQSCD	NETLOCK Trust Qualified RQSCD CA	<a href="http://www.netlock.hu/index.cgi?ca=qtrustrqscd">http://www.netlock.hu/index.cgi?ca=qtrustrqscd</a>	<a href="http://www.netlock.hu/index.cgi?crl=qtrustrqscd">http://www.netlock.hu/index.cgi?crl=qtrustrqscd</a>
QTRUST EV	NETLOCK Trust Qualified EV CA	<a href="http://www.netlock.hu/index.cgi?ca=qtrustev">http://www.netlock.hu/index.cgi?ca=qtrustev</a>	<a href="http://www.netlock.hu/index.cgi?crl=qtrustev">http://www.netlock.hu/index.cgi?crl=qtrustev</a>
TRUSTEV	NETLOCK Trust EV CA	<a href="http://www.netlock.hu/index.cgi?ca=trustev">http://www.netlock.hu/index.cgi?ca=trustev</a>	<a href="http://www.netlock.hu/index.cgi?crl=trustev">http://www.netlock.hu/index.cgi?crl=trustev</a>
TRUST EV 2	NETLOCK Trust EV CA 2	<a href="http://www.netlock.hu/index.cgi?ca=trustev2">http://www.netlock.hu/index.cgi?ca=trustev2</a>	<a href="http://www.netlock.hu/index.cgi?crl=trustev2">http://www.netlock.hu/index.cgi?crl=trustev2</a>
TRUST EV 3	NETLOCK Trust EV CA 3	<a href="http://www.netlock.hu/index.cgi?ca=trustev3">http://www.netlock.hu/index.cgi?ca=trustev3</a>	<a href="http://www.netlock.hu/index.cgi?crl=trustev3">http://www.netlock.hu/index.cgi?crl=trustev3</a>
QTRUST EV 2	NETLOCK Trust Qualified EV CA 2	<a href="http://www.netlock.hu/index.cgi?ca=qtrustev2">http://www.netlock.hu/index.cgi?ca=qtrustev2</a>	<a href="http://www.netlock.hu/index.cgi?crl=qtrustev2">http://www.netlock.hu/index.cgi?crl=qtrustev2</a>
QTRUST EV 3	NETLOCK Trust Qualified EV CA 3	<a href="http://www.netlock.hu/index.cgi?ca=qtrustev3">http://www.netlock.hu/index.cgi?ca=qtrustev3</a>	<a href="http://www.netlock.hu/index.cgi?crl=qtrustev3">http://www.netlock.hu/index.cgi?crl=qtrustev3</a>
TRUSTSSL	NETLOCK Trust SSL CA	<a href="http://www.netlock.hu/index.cgi?ca=trustssl">http://www.netlock.hu/index.cgi?ca=trustssl</a>	<a href="http://www.netlock.hu/index.cgi?crl=trustssl">http://www.netlock.hu/index.cgi?crl=trustssl</a>
TRUSTAP	NETLOCK Trust Advanced Plus CA	<a href="http://www.netlock.hu/index.cgi?ca=trustap">http://www.netlock.hu/index.cgi?ca=trustap</a>	<a href="http://www.netlock.hu/index.cgi?crl=trustap">http://www.netlock.hu/index.cgi?crl=trustap</a>
TRUSTA	NETLOCK Trust Advanced CA	<a href="http://www.netlock.hu/index.cgi?ca=trusta">http://www.netlock.hu/index.cgi?ca=trusta</a>	<a href="http://www.netlock.hu/index.cgi?crl=trusta">http://www.netlock.hu/index.cgi?crl=trusta</a>
TRUST	NETLOCK Trust CA	<a href="http://www.netlock.hu/index.cgi?ca=trust">http://www.netlock.hu/index.cgi?ca=trust</a>	<a href="http://www.netlock.hu/index.cgi?crl=trust">http://www.netlock.hu/index.cgi?crl=trust</a>
SHA2 A EAT	NetLock Közjegyzői Eat. (Class A Legal) Tanúsítványkiadó	<a href="http://www.netlock.hu/index.cgi?ca=calca">http://www.netlock.hu/index.cgi?ca=calca</a>	<a href="http://www.netlock.hu/index.cgi?crl=calca">http://www.netlock.hu/index.cgi?crl=calca</a>
SHA2 B EAT	NetLock Üzleti Eat. (Class B Legal) Tanúsítványkiadó	<a href="http://www.netlock.hu/index.cgi?ca=cblca">http://www.netlock.hu/index.cgi?ca=cblca</a>	<a href="http://www.netlock.hu/index.cgi?crl=cblca">http://www.netlock.hu/index.cgi?crl=cblca</a>
SHA2 C EAT	NetLock Expressz Eat. (Class C Legal) Tanúsítványkiadó	<a href="http://www.netlock.hu/index.cgi?ca=cclca">http://www.netlock.hu/index.cgi?ca=cclca</a>	<a href="http://www.netlock.hu/index.cgi?crl=cclca">http://www.netlock.hu/index.cgi?crl=cclca</a>
SHA2 A	NetLock Közjegyzői (Class A) Tanúsítványkiadó	<a href="http://www.netlock.hu/index.cgi?ca=caca">http://www.netlock.hu/index.cgi?ca=caca</a>	<a href="http://www.netlock.hu/index.cgi?crl=caca">http://www.netlock.hu/index.cgi?crl=caca</a>
SHA2 B	NetLock Üzleti (Class B) Tanúsítványkiadó	<a href="http://www.netlock.hu/index.cgi?ca=cbca">http://www.netlock.hu/index.cgi?ca=cbca</a>	<a href="http://www.netlock.hu/index.cgi?crl=cbca">http://www.netlock.hu/index.cgi?crl=cbca</a>
SHA2 C	NetLock Expressz (Class C) Tanúsítványkiadó	<a href="http://www.netlock.hu/index.cgi?ca=ccca">http://www.netlock.hu/index.cgi?ca=ccca</a>	<a href="http://www.netlock.hu/index.cgi?crl=ccca">http://www.netlock.hu/index.cgi?crl=ccca</a>
SHA2 MKB EAT	MKB Tanúsítványkiadó	<a href="http://crl.mkb.hu/CA4.crt">http://crl.mkb.hu/CA4.crt</a>	<a href="http://crl.mkb.hu/CA4.crl">http://crl.mkb.hu/CA4.crl</a>
SHA2 MNB EAT	MNB Eat. Tanúsítványkiadó	<a href="http://cdp.mnb.hu/LHSZ1.crt">http://cdp.mnb.hu/LHSZ1.crt</a>	<a href="http://cdp.mnb.hu/LHSZ1.crl">http://cdp.mnb.hu/LHSZ1.crl</a>
SHA2 KELER EAT	KELER Eat. Tanúsítványkiadó	<a href="http://www.keler.hu/crl/lhsz2.crt">http://www.keler.hu/crl/lhsz2.crt</a>	<a href="http://www.keler.hu/crl/lhsz2.crl">http://www.keler.hu/crl/lhsz2.crl</a>
SHA2 MNB	MNB Tanúsítványkiadó	<a href="http://cdp.mnb.hu/LHSZ1.crt">http://cdp.mnb.hu/LHSZ1.crt</a>	<a href="http://cdp.mnb.hu/LHSZ1.crl">http://cdp.mnb.hu/LHSZ1.crl</a>
SHA2 KELER	KELER Tanúsítványkiadó	<a href="http://www.keler.hu/crl/lhsz2.crt">http://www.keler.hu/crl/lhsz2.crt</a>	<a href="http://www.keler.hu/crl/lhsz2.crl">http://www.keler.hu/crl/lhsz2.crl</a>
tlsecca	NETLOCK TLS ECC CA	<a href="http://aia.ecc.netlock.hu/index.cgi?ca=tlsecca">http://aia.ecc.netlock.hu/index.cgi?ca=tlsecca</a>	<a href="http://crl.ecc.netlock.hu/index.cgi?crl=tlsecca">http://crl.ecc.netlock.hu/index.cgi?crl=tlsecca</a>
ecctlrootca2025	NETLOCK TLS Root CA 2025	<a href="http://aia.ecc.netlock.hu/index.cgi?ca=ecctlrootca2025">http://aia.ecc.netlock.hu/index.cgi?ca=ecctlrootca2025</a>	<a href="http://crl.ecc.netlock.hu/index.cgi?crl=ecctlrootca2025">http://crl.ecc.netlock.hu/index.cgi?crl=ecctlrootca2025</a>

NETLOCK CA HIERARCHY

testecca	NETLOCK Test ECC CA	<a href="http://aia-test.ecc.netlock.hu/index.cgi?ca=testecca">http://aia-test.ecc.netlock.hu/index.cgi?ca=testecca</a>	<a href="http://crl-test.ecc.netlock.hu/index.cgi?crl=testecca">http://crl-test.ecc.netlock.hu/index.cgi?crl=testecca</a>
rootecca	NETLOCK Root ECC CA	<a href="http://aia.ecc.netlock.hu/index.cgi?ca=rootecca">http://aia.ecc.netlock.hu/index.cgi?ca=rootecca</a>	<a href="http://crl.ecc.netlock.hu/index.cgi?crl=rootecca">http://crl.ecc.netlock.hu/index.cgi?crl=rootecca</a>
tsaecca	NETLOCK TSA ECC CA	<a href="http://aia.ecc.netlock.hu/index.cgi?ca=tsaecca">http://aia.ecc.netlock.hu/index.cgi?ca=tsaecca</a>	<a href="http://crl.ecc.netlock.hu/index.cgi?crl=tsaecca">http://crl.ecc.netlock.hu/index.cgi?crl=tsaecca</a>
tsaecca2025	NETLOCK TSA ECC CA 2025	<a href="http://aia.ecc.netlock.hu/index.cgi?ca=tsaecca2025">http://aia.ecc.netlock.hu/index.cgi?ca=tsaecca2025</a>	<a href="http://crl.ecc.netlock.hu/index.cgi?crl=tsaecca2025">http://crl.ecc.netlock.hu/index.cgi?crl=tsaecca2025</a>
testtsaecca	NETLOCK Test TSA ECC CA	<a href="http://aia-test.ecc.netlock.hu/index.cgi?ca=testtsaecca">http://aia-test.ecc.netlock.hu/index.cgi?ca=testtsaecca</a>	<a href="http://crl-test.ecc.netlock.hu/index.cgi?crl=testtsaecca">http://crl-test.ecc.netlock.hu/index.cgi?crl=testtsaecca</a>
testrsa4096ca	NETLOCK Test RSA 4096 CA	<a href="http://aia-test.rsa.netlock.hu/index.cgi?ca=testrsa4096ca">http://aia-test.rsa.netlock.hu/index.cgi?ca=testrsa4096ca</a>	<a href="http://crl-test.rsa.netlock.hu/index.cgi?crl=testrsa4096ca">http://crl-test.rsa.netlock.hu/index.cgi?crl=testrsa4096ca</a>
rsa4096ca	NETLOCK RSA 4096 CA	<a href="http://aia.rsa.netlock.hu/index.cgi?ca=rsa4096ca">http://aia.rsa.netlock.hu/index.cgi?ca=rsa4096ca</a>	<a href="http://crl.rsa.netlock.hu/index.cgi?crl=rsa4096ca">http://crl.rsa.netlock.hu/index.cgi?crl=rsa4096ca</a>
testrsa2048ca	NETLOCK Test RSA 2048 CA	<a href="http://aia-test.rsa.netlock.hu/index.cgi?ca=testrsa2048ca">http://aia-test.rsa.netlock.hu/index.cgi?ca=testrsa2048ca</a>	<a href="http://crl-test.rsa.netlock.hu/index.cgi?crl=testrsa2048ca">http://crl-test.rsa.netlock.hu/index.cgi?crl=testrsa2048ca</a>
rsa2048ca	NETLOCK RSA 2048 CA	<a href="http://aia.rsa.netlock.hu/index.cgi?ca=rsa2048ca">http://aia.rsa.netlock.hu/index.cgi?ca=rsa2048ca</a>	<a href="http://crl.rsa.netlock.hu/index.cgi?crl=rsa2048ca">http://crl.rsa.netlock.hu/index.cgi?crl=rsa2048ca</a>
trustecca	NETLOCK Trust ECC CA	<a href="http://aia.ecc.netlock.hu/index.cgi?ca=trustecca">http://aia.ecc.netlock.hu/index.cgi?ca=trustecca</a>	<a href="http://crl.ecc.netlock.hu/index.cgi?crl=trustecca">http://crl.ecc.netlock.hu/index.cgi?crl=trustecca</a>
trustaeca	NETLOCK Trust Advanced ECC CA	<a href="http://aia.ecc.netlock.hu/index.cgi?ca=trustaeca">http://aia.ecc.netlock.hu/index.cgi?ca=trustaeca</a>	<a href="http://crl.ecc.netlock.hu/index.cgi?crl=trustaeca">http://crl.ecc.netlock.hu/index.cgi?crl=trustaeca</a>
trustapecca	NETLOCK Trust Advanced Plus ECC CA	<a href="http://aia.ecc.netlock.hu/index.cgi?ca=trustapecca">http://aia.ecc.netlock.hu/index.cgi?ca=trustapecca</a>	<a href="http://crl.ecc.netlock.hu/index.cgi?crl=trustapecca">http://crl.ecc.netlock.hu/index.cgi?crl=trustapecca</a>
qtrustecca	NETLOCK Trust Qualified ECC CA	<a href="http://aia.ecc.netlock.hu/index.cgi?ca=qtrustecca">http://aia.ecc.netlock.hu/index.cgi?ca=qtrustecca</a>	<a href="http://crl.ecc.netlock.hu/index.cgi?crl=qtrustecca">http://crl.ecc.netlock.hu/index.cgi?crl=qtrustecca</a>
qtrustsdecca	NETLOCK Trust Qualified SCD ECC CA	<a href="http://aia.ecc.netlock.hu/index.cgi?ca=qtrustsdecca">http://aia.ecc.netlock.hu/index.cgi?ca=qtrustsdecca</a>	<a href="http://crl.ecc.netlock.hu/index.cgi?crl=qtrustsdecca">http://crl.ecc.netlock.hu/index.cgi?crl=qtrustsdecca</a>
qtrustqscdecca	NETLOCK Trust Qualified QSCD ECC CA	<a href="http://aia.ecc.netlock.hu/index.cgi?ca=qtrustqscdecca">http://aia.ecc.netlock.hu/index.cgi?ca=qtrustqscdecca</a>	<a href="http://crl.ecc.netlock.hu/index.cgi?crl=qtrustqscdecca">http://crl.ecc.netlock.hu/index.cgi?crl=qtrustqscdecca</a>
qpacaeca	NETLOCK Qualified Public Administration ECC CA	-	-
qtrustrqscdvraecca	NETLOCK Trust Qualified RQSCD VRA ECC CA	<a href="http://aia.ecc.netlock.hu/index.cgi?ca=qtrustrqscdvraecca">http://aia.ecc.netlock.hu/index.cgi?ca=qtrustrqscdvraecca</a>	<a href="http://crl.ecc.netlock.hu/index.cgi?crl=qtrustrqscdvraecca">http://crl.ecc.netlock.hu/index.cgi?crl=qtrustrqscdvraecca</a>
tlsovecca	NETLOCK TLS OV ECC CA	<a href="http://aia.ecc.netlock.hu/index.cgi?ca=tlsovecca">http://aia.ecc.netlock.hu/index.cgi?ca=tlsovecca</a>	<a href="http://crl.ecc.netlock.hu/index.cgi?crl=tlsovecca">http://crl.ecc.netlock.hu/index.cgi?crl=tlsovecca</a>
tlsoveccctca	NETLOCK TLS OV ECC CTCA	<a href="http://aia.ecc.netlock.hu/index.cgi?ca=tlsoveccctca">http://aia.ecc.netlock.hu/index.cgi?ca=tlsoveccctca</a>	<a href="http://crl.ecc.netlock.hu/index.cgi?crl=tlsoveccctca">http://crl.ecc.netlock.hu/index.cgi?crl=tlsoveccctca</a>
tlsevecca	NETLOCK TLS EV ECC CA	<a href="http://aia.ecc.netlock.hu/index.cgi?ca=tlsevecca">http://aia.ecc.netlock.hu/index.cgi?ca=tlsevecca</a>	<a href="http://crl.ecc.netlock.hu/index.cgi?crl=tlsevecca">http://crl.ecc.netlock.hu/index.cgi?crl=tlsevecca</a>
tlseveccctca	NETLOCK TLS EV ECC CTCA	<a href="http://aia.ecc.netlock.hu/index.cgi?ca=tlseveccctca">http://aia.ecc.netlock.hu/index.cgi?ca=tlseveccctca</a>	<a href="http://crl.ecc.netlock.hu/index.cgi?crl=tlseveccctca">http://crl.ecc.netlock.hu/index.cgi?crl=tlseveccctca</a>
tlsqvecca	NETLOCK TLS Qualified EV ECC CA	<a href="http://aia.ecc.netlock.hu/index.cgi?ca=tlsqvecca">http://aia.ecc.netlock.hu/index.cgi?ca=tlsqvecca</a>	<a href="http://crl.ecc.netlock.hu/index.cgi?crl=tlsqvecca">http://crl.ecc.netlock.hu/index.cgi?crl=tlsqvecca</a>
tlsqveccctca	NETLOCK TLS Qualified EV ECC CTCA	<a href="http://aia.ecc.netlock.hu/index.cgi?ca=tlsqveccctca">http://aia.ecc.netlock.hu/index.cgi?ca=tlsqveccctca</a>	<a href="http://crl.ecc.netlock.hu/index.cgi?crl=tlsqveccctca">http://crl.ecc.netlock.hu/index.cgi?crl=tlsqveccctca</a>

NETLOCK CA HIERARCHY

tlsdveccca	NETLOCK TLS DV ECC CA	<a href="http://aia.ecc.netlock.hu/index.cgi?ca=tlsdveccca">http://aia.ecc.netlock.hu/index.cgi?ca=tlsdveccca</a>	<a href="http://crl.ecc.netlock.hu/index.cgi?crl=tlsdveccca">http://crl.ecc.netlock.hu/index.cgi?crl=tlsdveccca</a>
tlsdveccctca	NETLOCK TLS DV ECC CTCA	<a href="http://aia.ecc.netlock.hu/index.cgi?ca=tlsdveccctca">http://aia.ecc.netlock.hu/index.cgi?ca=tlsdveccctca</a>	<a href="http://crl.ecc.netlock.hu/index.cgi?crl=tlsdveccctca">http://crl.ecc.netlock.hu/index.cgi?crl=tlsdveccctca</a>
ecctlsqev2025	NETLOCK Qualified EV TLS CA 2025	<a href="http://aia.ecc.netlock.hu/index.cgi?ca=ecctlsqev2025">http://aia.ecc.netlock.hu/index.cgi?ca=ecctlsqev2025</a>	<a href="http://crl.ecc.netlock.hu/index.cgi?crl=ecctlsqev2025">http://crl.ecc.netlock.hu/index.cgi?crl=ecctlsqev2025</a>
ecctlsqevctca2025	NETLOCK Qualified EV TLS CTCA 2025	<a href="http://aia.ecc.netlock.hu/index.cgi?ca=ecctlsqevctca2025">http://aia.ecc.netlock.hu/index.cgi?ca=ecctlsqevctca2025</a>	<a href="http://crl.ecc.netlock.hu/index.cgi?crl=ecctlsqevctca2025">http://crl.ecc.netlock.hu/index.cgi?crl=ecctlsqevctca2025</a>
ecctlssov2025	NETLOCK OV TLS CA 2025	<a href="http://aia.ecc.netlock.hu/index.cgi?ca=ecctlssov2025">http://aia.ecc.netlock.hu/index.cgi?ca=ecctlssov2025</a>	<a href="http://crl.ecc.netlock.hu/index.cgi?crl=ecctlssov2025">http://crl.ecc.netlock.hu/index.cgi?crl=ecctlssov2025</a>
ecctlsovctca2025	NETLOCK OV TLS CTCA 2025	<a href="http://aia.ecc.netlock.hu/index.cgi?ca=ecctlsovctca2025">http://aia.ecc.netlock.hu/index.cgi?ca=ecctlsovctca2025</a>	<a href="http://crl.ecc.netlock.hu/index.cgi?crl=ecctlsovctca2025">http://crl.ecc.netlock.hu/index.cgi?crl=ecctlsovctca2025</a>
ecctlsdv2025	NETLOCK DV TLS CA 2025	<a href="http://aia.ecc.netlock.hu/index.cgi?ca=ecctlsdv2025">http://aia.ecc.netlock.hu/index.cgi?ca=ecctlsdv2025</a>	<a href="http://crl.ecc.netlock.hu/index.cgi?crl=ecctlsdv2025">http://crl.ecc.netlock.hu/index.cgi?crl=ecctlsdv2025</a>
ecctlsdvctca2025	NETLOCK DV TLS CTCA 2025	<a href="http://aia.ecc.netlock.hu/index.cgi?ca=ecctlsdvctca2025">http://aia.ecc.netlock.hu/index.cgi?ca=ecctlsdvctca2025</a>	<a href="http://crl.ecc.netlock.hu/index.cgi?crl=ecctlsdvctca2025">http://crl.ecc.netlock.hu/index.cgi?crl=ecctlsdvctca2025</a>
trusttsaeccca	NETLOCK Trust TSA ECC CA	<a href="http://aia.ecc.netlock.hu/index.cgi?ca=trusttsaeccca">http://aia.ecc.netlock.hu/index.cgi?ca=trusttsaeccca</a>	<a href="http://crl.ecc.netlock.hu/index.cgi?crl=trusttsaeccca">http://crl.ecc.netlock.hu/index.cgi?crl=trusttsaeccca</a>
qtrusttsaeccca	NETLOCK Trust Qualified TSA ECC CA	<a href="http://aia.ecc.netlock.hu/index.cgi?ca=qtrusttsaeccca">http://aia.ecc.netlock.hu/index.cgi?ca=qtrusttsaeccca</a>	<a href="http://crl.ecc.netlock.hu/index.cgi?crl=qtrusttsaeccca">http://crl.ecc.netlock.hu/index.cgi?crl=qtrusttsaeccca</a>
trusttsaeccca2025	NETLOCK Trust TSA ECC CA 2025	<a href="http://aia.ecc.netlock.hu/index.cgi?ca=trusttsaeccca2025">http://aia.ecc.netlock.hu/index.cgi?ca=trusttsaeccca2025</a>	<a href="http://crl.ecc.netlock.hu/index.cgi?crl=trusttsaeccca2025">http://crl.ecc.netlock.hu/index.cgi?crl=trusttsaeccca2025</a>
qtrusttsaeccca2025	NETLOCK Trust Qualified TSA ECC CA 2025	<a href="http://aia.ecc.netlock.hu/index.cgi?ca=qtrusttsaeccca2025">http://aia.ecc.netlock.hu/index.cgi?ca=qtrusttsaeccca2025</a>	<a href="http://crl.ecc.netlock.hu/index.cgi?crl=qtrusttsaeccca2025">http://crl.ecc.netlock.hu/index.cgi?crl=qtrusttsaeccca2025</a>
trustrsa2048ca	NETLOCK Trust RSA 2048 CA	<a href="http://aia.rsa.netlock.hu/index.cgi?ca=trustrsa2048ca">http://aia.rsa.netlock.hu/index.cgi?ca=trustrsa2048ca</a>	<a href="http://crl.rsa.netlock.hu/index.cgi?crl=trustrsa2048ca">http://crl.rsa.netlock.hu/index.cgi?crl=trustrsa2048ca</a>
trustarsa2048ca	NETLOCK Trust Advanced RSA 2048 CA	<a href="http://aia.rsa.netlock.hu/index.cgi?ca=trustarsa2048ca">http://aia.rsa.netlock.hu/index.cgi?ca=trustarsa2048ca</a>	<a href="http://crl.rsa.netlock.hu/index.cgi?crl=trustarsa2048ca">http://crl.rsa.netlock.hu/index.cgi?crl=trustarsa2048ca</a>
trustaprsa2048ca	NETLOCK Trust Advanced Plus RSA 2048 CA	<a href="http://aia.rsa.netlock.hu/index.cgi?ca=trustaprsa2048ca">http://aia.rsa.netlock.hu/index.cgi?ca=trustaprsa2048ca</a>	<a href="http://crl.rsa.netlock.hu/index.cgi?crl=trustaprsa2048ca">http://crl.rsa.netlock.hu/index.cgi?crl=trustaprsa2048ca</a>
qtrustrsa2048ca	NETLOCK Trust Qualified RSA 2048 CA	<a href="http://aia.rsa.netlock.hu/index.cgi?ca=qtrustrsa2048ca">http://aia.rsa.netlock.hu/index.cgi?ca=qtrustrsa2048ca</a>	<a href="http://crl.rsa.netlock.hu/index.cgi?crl=qtrustrsa2048ca">http://crl.rsa.netlock.hu/index.cgi?crl=qtrustrsa2048ca</a>
qtrustscdrsa2048ca	NETLOCK Trust Qualified SCD RSA 2048 CA	<a href="http://aia.rsa.netlock.hu/index.cgi?ca=qtrustscdrsa2048ca">http://aia.rsa.netlock.hu/index.cgi?ca=qtrustscdrsa2048ca</a>	<a href="http://crl.rsa.netlock.hu/index.cgi?crl=qtrustscdrsa2048ca">http://crl.rsa.netlock.hu/index.cgi?crl=qtrustscdrsa2048ca</a>
qtrustqscdrsa2048ca	NETLOCK Trust Qualified QSCD RSA 2048 CA	<a href="http://aia.rsa.netlock.hu/index.cgi?ca=qtrustqscdrsa2048ca">http://aia.rsa.netlock.hu/index.cgi?ca=qtrustqscdrsa2048ca</a>	<a href="http://crl.rsa.netlock.hu/index.cgi?crl=qtrustqscdrsa2048ca">http://crl.rsa.netlock.hu/index.cgi?crl=qtrustqscdrsa2048ca</a>
qpacarsa2048ca	NETLOCK Qualified Public Administration RSA 2048 CA	-	-
qtrustqscdvrarsa2048ca	NETLOCK Trust Qualified RQSCD VRA RSA 2048 CA	<a href="http://aia.rsa.netlock.hu/index.cgi?ca=qtrustqscdvrarsa2048ca">http://aia.rsa.netlock.hu/index.cgi?ca=qtrustqscdvrarsa2048ca</a>	<a href="http://crl.rsa.netlock.hu/index.cgi?crl=qtrustqscdvrarsa2048ca">http://crl.rsa.netlock.hu/index.cgi?crl=qtrustqscdvrarsa2048ca</a>
tsarsa2048ca	NETLOCK Trust TSA RSA 2048 CA	<a href="http://aia.rsa.netlock.hu/index.cgi?ca=tsarsa2048ca">http://aia.rsa.netlock.hu/index.cgi?ca=tsarsa2048ca</a>	<a href="http://crl.rsa.netlock.hu/index.cgi?crl=tsarsa2048ca">http://crl.rsa.netlock.hu/index.cgi?crl=tsarsa2048ca</a>
qtsarsa2048ca	NETLOCK Trust Qualified TSA RSA 2048 CA	<a href="http://aia.rsa.netlock.hu/index.cgi?ca=qtsarsa2048ca">http://aia.rsa.netlock.hu/index.cgi?ca=qtsarsa2048ca</a>	<a href="http://crl.rsa.netlock.hu/index.cgi?crl=qtsarsa2048ca">http://crl.rsa.netlock.hu/index.cgi?crl=qtsarsa2048ca</a>
trustrsa4096ca	NETLOCK Trust RSA 4096 CA	<a href="http://aia.rsa.netlock.hu/index.cgi?ca=trustrsa4096ca">http://aia.rsa.netlock.hu/index.cgi?ca=trustrsa4096ca</a>	<a href="http://crl.rsa.netlock.hu/index.cgi?crl=trustrsa4096ca">http://crl.rsa.netlock.hu/index.cgi?crl=trustrsa4096ca</a>
trustarsa4096ca	NETLOCK Trust Advanced RSA 4096 CA	<a href="http://aia.rsa.netlock.hu/index.cgi?ca=trustarsa4096ca">http://aia.rsa.netlock.hu/index.cgi?ca=trustarsa4096ca</a>	<a href="http://crl.rsa.netlock.hu/index.cgi?crl=trustarsa4096ca">http://crl.rsa.netlock.hu/index.cgi?crl=trustarsa4096ca</a>
trustaprsa4096ca	NETLOCK Trust Advanced Plus RSA 4096 CA	<a href="http://aia.rsa.netlock.hu/index.cgi?ca=trustaprsa4096ca">http://aia.rsa.netlock.hu/index.cgi?ca=trustaprsa4096ca</a>	<a href="http://crl.rsa.netlock.hu/index.cgi?crl=trustaprsa4096ca">http://crl.rsa.netlock.hu/index.cgi?crl=trustaprsa4096ca</a>

## NETLOCK CA HIERARCHY

qtrustrsa4096ca	NETLOCK Trust Qualified RSA 4096 CA	<a href="http://aia.rsa.netlock.hu/index.cgi?ca=qtrustrsa4096ca">http://aia.rsa.netlock.hu/index.cgi?ca=qtrustrsa4096ca</a>	<a href="http://crl.rsa.netlock.hu/index.cgi?crl=qtrustrsa4096ca">http://crl.rsa.netlock.hu/index.cgi?crl=qtrustrsa4096ca</a>
qtrustrcdrsa4096ca	NETLOCK Trust Qualified SCD RSA 4096 CA	<a href="http://aia.rsa.netlock.hu/index.cgi?ca=qtrustrcdrsa4096ca">http://aia.rsa.netlock.hu/index.cgi?ca=qtrustrcdrsa4096ca</a>	<a href="http://crl.rsa.netlock.hu/index.cgi?crl=qtrustrcdrsa4096ca">http://crl.rsa.netlock.hu/index.cgi?crl=qtrustrcdrsa4096ca</a>
qtrustqscdrsa4096ca	NETLOCK Trust Qualified QSCD RSA 4096 CA	<a href="http://aia.rsa.netlock.hu/index.cgi?ca=qtrustqscdrsa4096ca">http://aia.rsa.netlock.hu/index.cgi?ca=qtrustqscdrsa4096ca</a>	<a href="http://crl.rsa.netlock.hu/index.cgi?crl=qtrustqscdrsa4096ca">http://crl.rsa.netlock.hu/index.cgi?crl=qtrustqscdrsa4096ca</a>
qpacarsa4096ca	NETLOCK Qualified Public Administration RSA 4096 CA	-	-
qtrustrqscdvrarsa4096ca	NETLOCK Trust Qualified RQSCD VRA RSA 4096 CA	<a href="http://aia.rsa.netlock.hu/index.cgi?ca=qtrustrqscdvrarsa4096ca">http://aia.rsa.netlock.hu/index.cgi?ca=qtrustrqscdvrarsa4096ca</a>	<a href="http://crl.rsa.netlock.hu/index.cgi?crl=qtrustrqscdvrarsa4096ca">http://crl.rsa.netlock.hu/index.cgi?crl=qtrustrqscdvrarsa4096ca</a>
tsarsa4096ca	NETLOCK Trust TSA RSA 4096 CA	<a href="http://aia.rsa.netlock.hu/index.cgi?ca=tsarsa4096ca">http://aia.rsa.netlock.hu/index.cgi?ca=tsarsa4096ca</a>	<a href="http://crl.rsa.netlock.hu/index.cgi?crl=tsarsa4096ca">http://crl.rsa.netlock.hu/index.cgi?crl=tsarsa4096ca</a>
qtsarsa4096ca	NETLOCK Trust Qualified TSA RSA 4096 CA	<a href="http://aia.rsa.netlock.hu/index.cgi?ca=qtsarsa4096ca">http://aia.rsa.netlock.hu/index.cgi?ca=qtsarsa4096ca</a>	<a href="http://crl.rsa.netlock.hu/index.cgi?crl=qtsarsa4096ca">http://crl.rsa.netlock.hu/index.cgi?crl=qtsarsa4096ca</a>
eccsmimerootca2025	NETLOCK SMIME Root CA 2025	<a href="http://aia.ecc.netlock.hu/index.cgi?ca=eccsmimerootca2025">http://aia.ecc.netlock.hu/index.cgi?ca=eccsmimerootca2025</a>	<a href="http://crl.ecc.netlock.hu/index.cgi?crl=eccsmimerootca2025">http://crl.ecc.netlock.hu/index.cgi?crl=eccsmimerootca2025</a>
eccsmime2025	NETLOCK SMIME CA 2025	<a href="http://aia.ecc.netlock.hu/index.cgi?ca=eccsmime2025">http://aia.ecc.netlock.hu/index.cgi?ca=eccsmime2025</a>	<a href="http://crl.ecc.netlock.hu/index.cgi?crl=eccsmime2025">http://crl.ecc.netlock.hu/index.cgi?crl=eccsmime2025</a>
eccqsmime2025	NETLOCK Qualified SMIME CA 2025	<a href="http://aia.ecc.netlock.hu/index.cgi?ca=eccqsmime2025">http://aia.ecc.netlock.hu/index.cgi?ca=eccqsmime2025</a>	<a href="http://crl.ecc.netlock.hu/index.cgi?crl=eccqsmime2025">http://crl.ecc.netlock.hu/index.cgi?crl=eccqsmime2025</a>

## 3 Cross certifications

### 3.1 Microsoft cross certified information

The Netlock has only cross certifications from Microsoft. They are intended to use for Kernel Mode Code Signing certificate root, but now the Kernel Mode Signing is strongly tied to EV Rules, after the Webtrust for EV or similar audit is possible to move forward.

Short name in structure	Full name	CA availability	Status
MCCA SHA2 GOLD	NetLock Arany (Class Gold) Főtanúsítvány	<a href="http://www.netlock.hu/index.cgi?ca=mccagold">http://www.netlock.hu/index.cgi?ca=mccagold</a>	Expired
MCCA SHA2 PLATINUM	NetLock Platina (Class Platinum) Főtanúsítvány	<a href="http://www.netlock.hu/index.cgi?ca=mccaplatinum">http://www.netlock.hu/index.cgi?ca=mccaplatinum</a>	Expired

### 3.2 NETLOCK Gold cross certified information

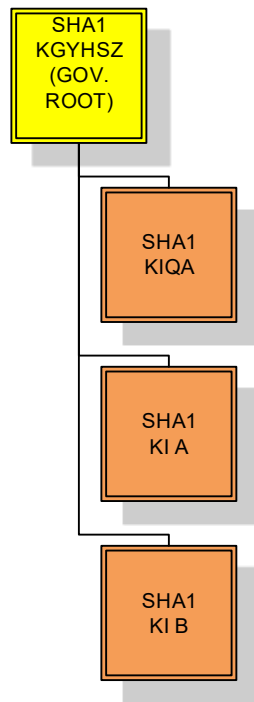
TLS SubCAs were generated in ECC hierarchy and signed with cross hierarchy of NETLOCK Gold root.

Short name in structure	Full name	CA availability	Status
tlsoveccca	NETLOCK TLS OV ECC CA	<a href="http://aia.ecc.netlock.hu/index.cgi?ca=gold">http://aia.ecc.netlock.hu/index.cgi?ca=gold</a>	Valid
tlseveccca	NETLOCK TLS EV ECC CA	<a href="http://aia.ecc.netlock.hu/index.cgi?ca=gold">http://aia.ecc.netlock.hu/index.cgi?ca=gold</a>	Valid
tlsqeveccca	NETLOCK TLS Qualified EV ECC CA	<a href="http://aia.ecc.netlock.hu/index.cgi?ca=gold">http://aia.ecc.netlock.hu/index.cgi?ca=gold</a>	Valid
tlsdveccca	NETLOCK TLS DV ECC CA	<a href="http://aia.ecc.netlock.hu/index.cgi?ca=gold">http://aia.ecc.netlock.hu/index.cgi?ca=gold</a>	Valid

## 4 CA certificates not covered by any root programs

### 4.1 CA certificates and CRLs

Short name in structure	Full name	CA availability	CRL availability
SHA1 KGYHSZ	KGYHSZ (Public Administration Root CA - Hungary)  <u>Governmental root in Hungary, not NETLOCK owned.</u>	<a href="http://www.kgyhsz.gov.hu/KGYHSZ_CA_20060719.cer">http://www.kgyhsz.gov.hu/KGYHSZ_CA_20060719.cer</a>	<a href="http://www.kgyhsz.gov.hu/KGYHSZ_CA_20060719.crl">http://www.kgyhsz.gov.hu/KGYHSZ_CA_20060719.crl</a>
SHA1 KIQA	Netlock Minositett Kozjegyzoi (Class QA) Tanusitvanykiado	<a href="http://www.netlock.hu/index.cgi?ca=mkozig">http://www.netlock.hu/index.cgi?ca=mkozig</a>	<a href="http://www.netlock.hu/index.cgi?crl=mkozig">http://www.netlock.hu/index.cgi?crl=mkozig</a>
SHA1 KI A	NetLock (Class A) Közigazgatási Tanúsítványkiadó)	already archived	already archived
SHA1 KI B	(NetLock (Class B) Közigazgatási Tanúsítványkiadó)	<a href="http://www.netlock.hu/index.cgi?ca=bkozig">http://www.netlock.hu/index.cgi?ca=bkozig</a>	<a href="http://www.netlock.hu/index.cgi?crl=bkozig">http://www.netlock.hu/index.cgi?crl=bkozig</a>



Orange – Already stopped service/CA  
Blue – There is no more certificate issuance, waits to stop  
Yellow – CA not controlled by Netlock  
TS – time stamping certificate  
OCSP – OCSP certificate

## 4.2 SHA256 Governmental CA hierarchy

### 4.2.1 General description

The Netlock has Intermediate certificates which are certified by the SHA256 root of the governmental CA KGYHSZ.

These roots are issuing singer certificates for public administration purposes

These roots are not subjects any Root programs, they are in separated tree.

### 4.2.2 Issued certificate types

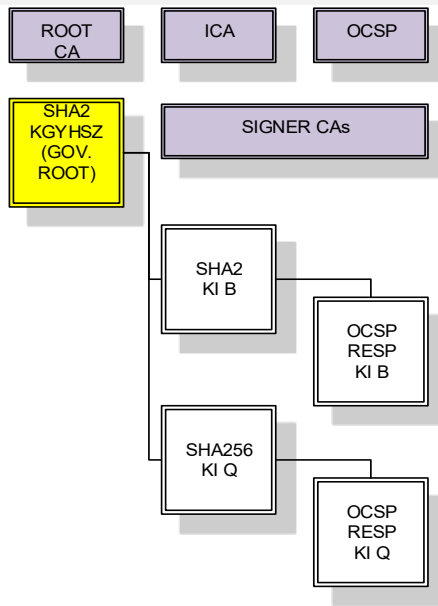
From these iCAs singer and authentication certificates can be bought for public administration purposes.

4.2.3 CA certificates and CRLs

Short name in structure	Full name	CA availability	CRL availability
SHA2 KGYHSZ	KGYHSZ (Public Administration Root CA - Hungary)  <u>Governmental root in Hungary, not Netlock owned.</u>	<a href="http://www.kgyhsz.gov.hu/KGYHSZ_CA_20091210.cer">http://www.kgyhsz.gov.hu/KGYHSZ_CA_20091210.cer</a>	<a href="http://www.kgyhsz.gov.hu/KGYHSZ_CA_20091210.crl">http://www.kgyhsz.gov.hu/KGYHSZ_CA_20091210.crl</a>
SHA2 KI Q	NetLock Minősített Közigazgatási (Class Q) Tanúsítványkiadó	<a href="http://www.netlock.hu/index.cgi?ca=mkozig256">http://www.netlock.hu/index.cgi?ca=mkozig256</a>	<a href="http://www.netlock.hu/index.cgi?crl=mkozig256">http://www.netlock.hu/index.cgi?crl=mkozig256</a>
SHA2 KI B	NetLock Közigazgatási Üzleti (Class B) Tanúsítványkiadó	<a href="http://www.netlock.hu/index.cgi?ca=bkozig256">http://www.netlock.hu/index.cgi?ca=bkozig256</a>	<a href="http://www.netlock.hu/index.cgi?crl=bkozig256">http://www.netlock.hu/index.cgi?crl=bkozig256</a>

qpacaeccca	NETLOCK Qualified Public Administration ECC CA	-	-
qpacarsa2048ca	NETLOCK Qualified Public Administration RSA 2048 CA	-	-
qpacarsa4096ca	NETLOCK Qualified Public Administration RSA 4096 CA	-	-

4.2.4 Structure



Yellow – CA not controlled by Netlock  
 TS – time stamping certificate  
 OCSP – OCSP certificate  
 Light purple – Grouping by certificate type and purpose

